

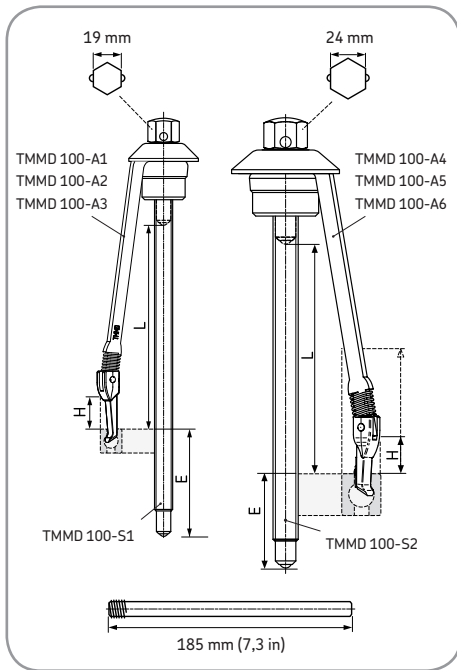
SKF deep groove ball bearing puller kit TMMD 100

Easy dismounting of bearings in blind housings

The SKF TMMD 100 is especially designed to allow easy and quick dismounting of deep groove ball bearings with interference fit on both rings. The puller is suitable for use in both blind housings and shaft applications. In addition to dismounting open bearings, the TMMD 100 can be used to dismount sealed bearings after the removal of the seal. The puller kit contains six sets of different size puller arms, two spindles and one handle packed in a carrying case. The TMMD 100 is suitable for dismounting up to 71 different SKF® deep groove ball bearings from shaft diameter ranging between 10 and 100 mm (0,4 - 3,9 in).

- The claws are especially designed to facilitate a precise fit in the bearing's raceways, providing good grip and allowing the application of higher dismounting forces
- Each puller arm is fitted with a spring for easy installation
- The puller arms are made of a single piece, laser-cut hardened-steel for strength and longevity
- Arm sizes 4, 5 and 6 are fitted with filling plates to accommodate a wide range of bearings
- The hexagon head of the spindle is equipped with an anti-slip pin, which prevents the spanner from sliding down the spindle during dismounting
- The rotation angle of the claw has been limited to allow easy insertion
- The designation is laser-engraved on the arms allowing easy identification and selection





Ordering details

Designation TMMD 100
Description Deep groove ball bearing puller kit

Kit contents
 3 × puller arms TMMD 100-A1
 3 × puller arms TMMD 100-A2
 3 × puller arms TMMD 100-A3
 3 × puller arms TMMD 100-A4
 3 × puller arms TMMD 100-A5
 3 × puller arms TMMD 100-A6
 1 × small spindle and nut
 1 × big spindle and nut
 1 × handle
 1 × language-free instructions for use booklet

Dimensions of case 395 × 300 × 105 mm (15,5 × 11,8 × 4,1 in)
Weight 3,8 kg (8,4 lb)

Technical data

	L		H		E	
	mm	in	mm	in	mm	in
TMMD 100-A1	135	5,3	16	0,6	79	3,1
TMMD 100-A2	135	5,3	16	0,6	79	3,1
TMMD 100-A3	137	5,4	23	0,9	77	3,0
TMMD 100-A4	162	6,4	26	1,0	52	2,0
TMMD 100-A5	167	6,6	>52	>2,0	49	1,9
TMMD 100-A6	170	6,7	>100	>3,9	49	1,9



The springs are colour-coded for easy arm selection and matching



Bearing selection chart included

Selection table

Deep groove ball bearing series							Arm	Spindle
160..	161..	60..	62..	63..	62/63/.	64..		
16002	16100	6000	6200				A1	S1
16003	16101	6001						
		6002						
		6003					A2	S1
		6004	6201	6300				
		6005	6202					
		6006	6203				A3	S2
16011		6007	6204	6301	62/22			
		6008	6205	6302				
		6009						
		6010					A4	S2
		6011	6206	6303	63/22			
		6012		6304	62/28			
		6013					A5	S2
		6014	6207	6305	63/28	6403		
		6015	6208	6306				
		6016	6209	6307				
		6017	6210					
			6211					
		6018	6212	6308		6404		
		6019	6213	6309		6405		
		6020	6214	6310		6406		
			6215	6311		6407		
			6216	6312		6408		
			6217	6313		6409		
			6218			6410		

SKF Maintenance Products

In line with our policy of continuous development of our products we reserve the right to alter any part of the above specification without prior notice.

Publication **MP3107E** · 2005/09
 © SKF is a registered trademark of the SKF Group

© SKF 2005

Although care has been taken to ensure the accuracy of this publication, SKF does not assume any liability for errors or omissions.