

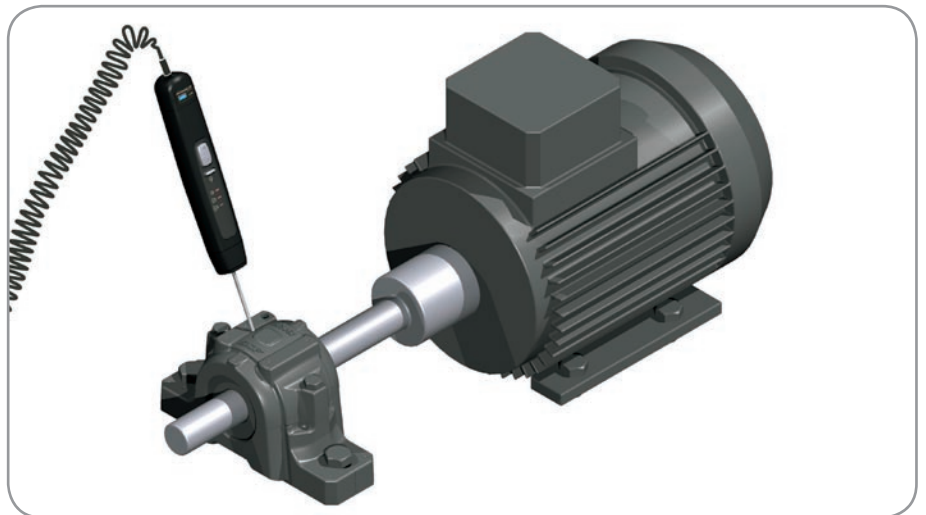


Electronic stethoscope TMST 3

Easily pinpoints bearing and machine noise

The SKF TMST 3 is a high quality, sensitive instrument enabling the determination of troublesome machine parts by the detection of machine noises or vibrations. TMST 3 includes a headset, two different length probes (70 and 220 mm) and a pre recorded audio CD demonstrating the most common encountered troublesome machine noise, all supplied complete in a sturdy carrying case.

- Excellent sound quality helps to reliably identify the possible cause of the noise
- User friendly and easy to operate, no special training required
- Lightweight ergonomic design makes it easy to operate with one hand
- Excellent quality headset for optimum sound quality even in very high-noise environments
- Pre-recorded demonstration CD and output for analogue recording help facilitate analysis and comparison
- Supplied with two probes, 70 and 220 mm (2,8 and 8,7 in) enabling reach almost anywhere
- Adjustable digital volume control up to 32 levels to reach desired volume



Technical data

Designation	TMST 3
Description	Electronic stethoscope
Frequency range	30 Hz-15kHz
Operating temperature	- 10 to + 45° C (14-113° F)
Output volume	Adjustable in 32 levels
Led indicator	Power on Sound volume Battery low
Maximum recorder output	250 mV
Headset	48 Ohm (with ear defender)
Auto switch off	Yes, after 2 min
Battery	4 x AAA/R03 (included)
Battery lifetime	30 hours (continuous use)
Dimensions handset	220 x 40 x 40 mm (8,6 x 1,6 x 1,6 in)
Probe length	70 and 220 mm (2,8 and 8,7 in)
Weight	
Total weight	1 560 g (3,4 lb)
Instrument	162 g (0,35 lb)
Headset	250 g (0,55 lb)

SKF Maintenance Products

© Copyright SKF 2006/08

www.mapro.skf.com
www.skf.com/mount

The contents of this publication are the copyright of the publisher and may not be reproduced (even extracts) unless permission is granted. Every care has been taken to ensure the accuracy of the information contained in this publication but no liability can be accepted for any loss or damage whether direct, indirect or consequential arising out of use of the information contained herein. © SKF is a registered trademark of the SKF Group

