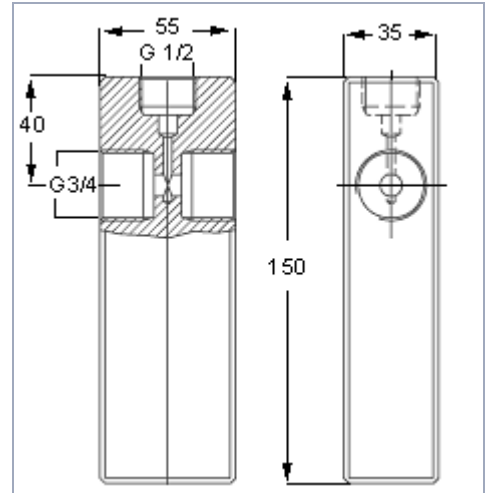


Application

The adapter block 1013523 E can be used to connect a high pressure pipe to a SKF oil injector 226400, with or without a pressure gauge. The block can also be used to join two high pressure pipes together, without a pressure gauge. Whilst using, the block should be supported, e.g. clamped in a vice.

Description

The adapter block is made of high strength steel and is designed to work without the use of washers on the sealing faces. The two G 3/4 connection holes are to be used to connect the high pressure pipe(s) and SKF oil injectors, the G 1/2 connection hole is to be used to directly connect SKF pressure gauges. The adapter block is supplied with a G 1/2 plug (729944 E) to seal the pressure gauge connection if a pressure gauge is not used.



Technical data

Designation	1013523 E
Maximum pressure	400 MPa (58.000 psi)
Pressure gauge connection	G 1/2
High pressure pipe connection	G 3/4
Weight	1,9 kg (4.2 lb)

Replacement parts

Designation	Description
729944 E	G 1/2 Plug

